

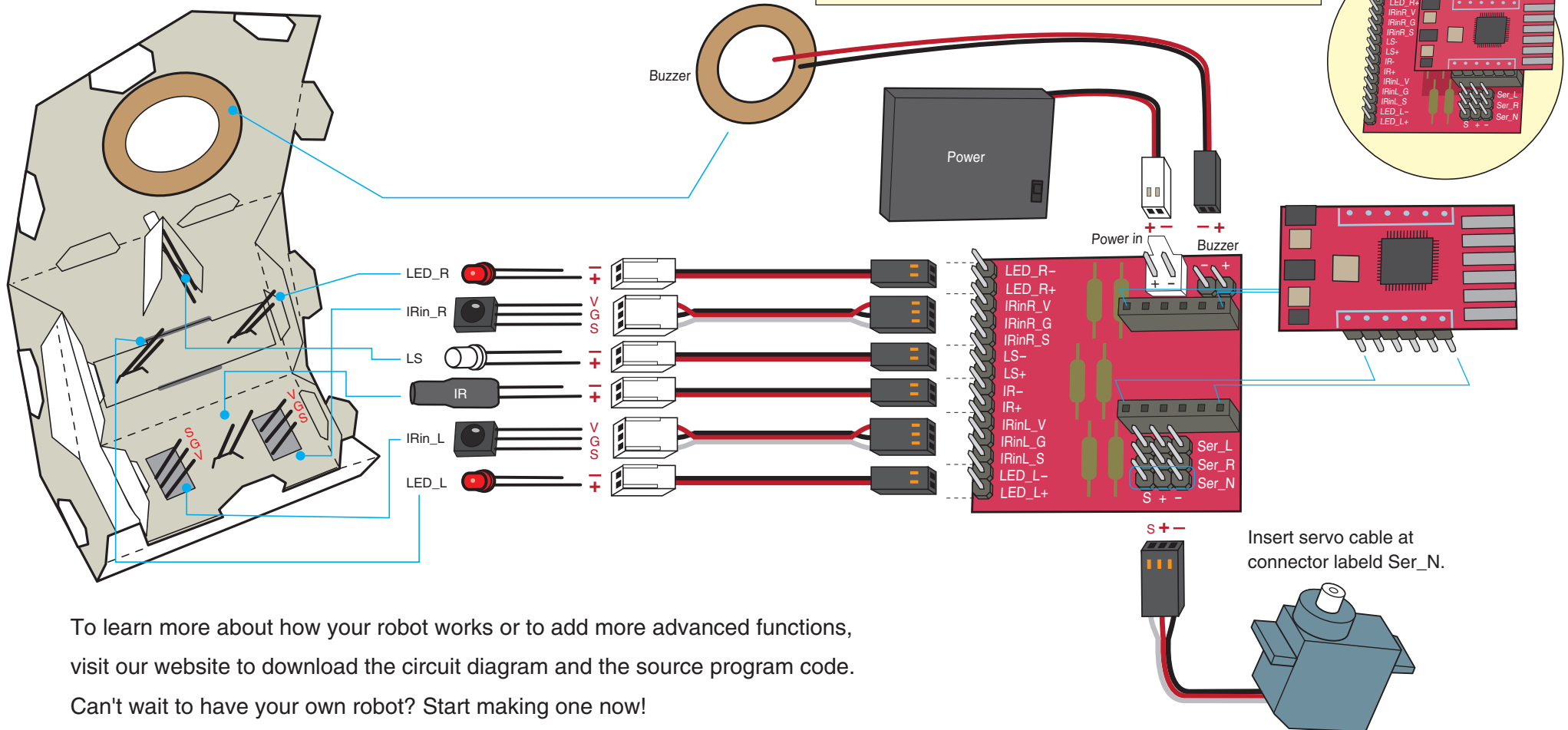
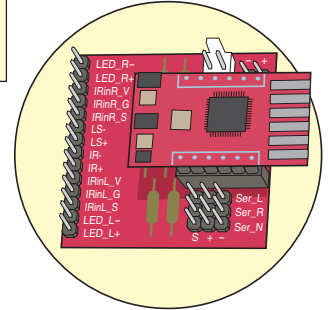
Electronics Assembly Instructions

Welcome to the Paper Planet! Please follow the cable connection diagram carefully to install the cables and control board to your robot. After completion, turn on the power and your robot will be ready at your command.

CAUTION:

1. Check colors carefully while inserting the cables.
2. For LED, IR and LS, the long pin is positive (+) and the short pin is negative (-).
3. Electronic components with sharp edges, handle with care.
4. Take precautions to electrostatic discharge, which may damage sensitive electronic components.

Insert Completion



To learn more about how your robot works or to add more advanced functions, visit our website to download the circuit diagram and the source program code. Can't wait to have your own robot? Start making one now!



Designed by ideasRiver, Inc. Powered by Innovati, Inc. Made in Taiwan